

CONNEX® RESIDENTIAL CEILING-MOUNTED HEATER

For the homeowner who wants a heated garage or workshop, the Ceiling-mounted Heater provides powerful, reliable heat that is convenient to use. Complete with CONNEX wireless controls, the RCH Series is convenient to use.

BENEFITS

- Built-in electronic thermostat included
- Powerful heating for garage or workshop
- Efficiently circulates air and directs heat downward
- Ceiling installation reduces potential for damage
- Automatic overheat protection ensures safe operation
- Fan only mode allows fan to operate without heat

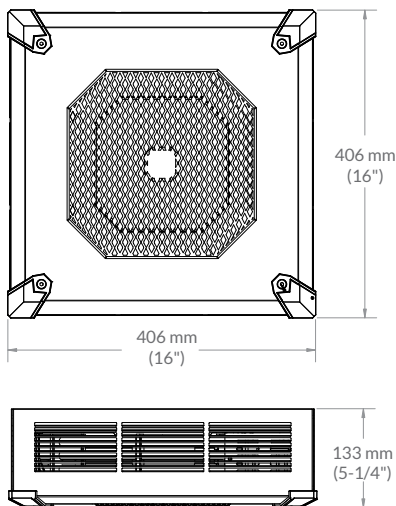
APPLICATIONS

Residential Garage Installations | Workshops

SPECIFICATIONS

Voltage	240V
Wattage	5000W
Color	White
Finish	Powder coating resists fading and abrasion
Construction	Heavy-duty metal construction Ceiling mounting T-bar for easy installation
Heating Element	Coil element
Installation	Installation bracket allows for easy, hinged installation of chassis then cover
Controls	Built-in electronic thermostat included
Warranty	1-year limited warranty

DIMENSIONS



ORDERING GUIDE

Cat. No.	Watts	Volts	BTU	CFM	Weight (kg/lb.)
RCH5031CXW	5000	240	17060	150	9.1 / 20

WIRELESS CONTROL OPTIONS



Cat. No.	Description
DPCRWS	Single-zone CONNEX Controller
CX-MPC	Multi-zone Programmable CONNEX Controller
CX-WIFI-A	Wi-Fi Multi-zone Programmable CONNEX Controller



Single-zone CONNEX Controller (DPCRWS)



Wi-Fi Multi-zone Programmable CONNEX Controller (CX-WIFI-A)



Multi-zone Programmable CONNEX Controller (CX-MPC)

